

LanScout 60/180-S

Long Wave Thermal Imaging Camera



The Axsys LanScout series of long wave uncooled thermal imagers offers effective surveillance solutions delivered in an economic compact package. Exhibiting unsurpassed reliability, the LanScout imagers provide striking thermal pictures every time.

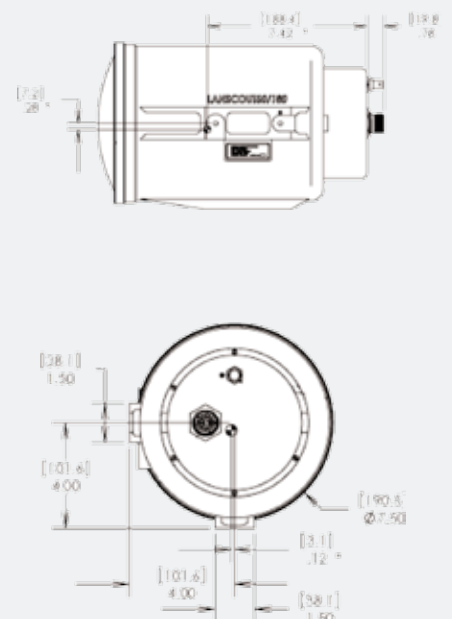
The LanScout 60/180-S is a dual field of view camera that transmits clear thermal images with a horizontal field of view of 7.2° and 2.4° in the Wide and Narrow Fields of View respectively. The LanScout 60/180-S incorporates uncooled VOx microbolometer technology in a 320 x 240, 23.5µm pitch focal plane array. Sensors operate in the 8–14µm spectral region; systems are immune to solar glint and provide high transmission through smoke or aerosols. Axsys' proprietary germanium optical system enables the uncooled sensor to operate at its maximum capability, while extremely efficient coatings on interior elements enhance transmission performance. The LanScout's optical front element, equipped with an automatically controlled defroster, is protected with Axsys' proprietary diamond-like hard carbon coating designed for use in the harshest of environments; a dry nitrogen backfilled environmentally sealed housing eliminates the need for additional enclosures. Axsys' user-friendly plug and play camera operation and RS232/422 remote control capability permit ease of integration into any clientbased security system.

Axsys provides leading-edge IR equipment to the security and surveillance sector. Axsys' proprietary optical designs, state-of-the-art laboratories, and vertically integrated manufacturing capabilities ensure maximum performance and dependability.

www.axsys.com

KEY FEATURES

- Auto & Manual Focus
- Remote Control
- Multiple Color Palettes
- Environmentally Sealed
- Dry Nitrogen Backfilled Enclosure
- 7.2° & 2.4° Dual Field of View (60/180mm)
- Uncooled 8-14µm VOx Microbolometer Technology (23.5µm)



LanScout 60/180-S

System Specifications

Axsys Part Number	23122MA
Video Format	NTSC or PAL
Serial Interface	RS-232/RS-422
Power Requirements	5-15 VDC <5 watts typical @ steady state, 25°C
Environmental	Unit sealed and dry nitrogen backfilled , rated IP67
	Front Element Defroster
	Operating Temperature Range: -30°C to +60°C
	Non-Operating Temperature Range: -40°C to +70°C
Controls	Controls available on a hand held pendant or through a PC via an RS-232/422 link
Mounting	1/4-20 Mounting Interface
Weight	~15 lbs. (~6.8kg)
Length	12.9" (32.8cm)

Sensor Specifications

Detector	320 x 240 Uncooled VOx Microbolometer FPA, 23.5µm pitch
Spectral Band	8-14µm.
MTBF	>30,000 hours

Optical Characteristics

Spectral Range	8-14µm
Lens Type	Dual Field of View 60mm/180mm focal lengths
f/#	0.87 WFOV/1.0 NFOV
Lens Features	Motorized remote operation
	Auto and manual focus adjustment
	Dual Field of View
Field of View	7.2° x 5.4° and 2.4° x 1.8°

Construction of Axsys Part Numbers

Code	Feature Referenced & Available Options	Example (part # plus code)
Bn	Baud Rate (Default = 9600)	23122MAB3
B1	4800	
B3	19200	
B4	38400	
B5	57600	
K	Sun Shield	23205K
N	No BNC Video Output	23122MAN
P	PAL Video Format	23122MAP
Vnn	Paint Color (default = Flat White; V8 = Gloss White; contact Axsys for other options)	23122MAV8

Note: To construct Part Numbers, start with base code, add other desired options alphabetically (excepting that "P" must be last), and then add kit designator. Example: 23181F2H1ZP-600