

EOSS 250-DC/250-DC-S

EOSS 250-DC / EOSS 250-DC-S / Dual Field



Axsys' EOSS 250DC sets a worldwide standard for mobile and stationary long range thermal imaging solutions, offering a wide array of surveillance and security features in a fully integrated system.

Operating in the 3–5 μ m spectral region, the EOSS 250DC utilizes advanced cooled photodetector technology in a 320 x 256 InSb, 30 μ m pitch focal plane array, or optionally a 640 x 512, 15 μ m pitch focal plane array for maximum resolution (EOSS 250-S). The EOSS 250DC's optical system, equipped with an automatically controlled defroster, is protected with a proprietary diamond-like hard carbon coating designed to withstand the harshest of conditions, while the interior elements utilize extremely efficient anti-reflection coatings that provide outstanding transmission. The EOSS 250DC is self contained in a nitrogen backfilled environmentally sealed enclosure.

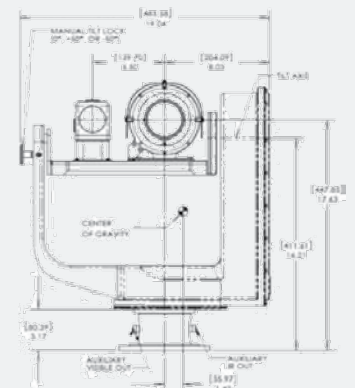
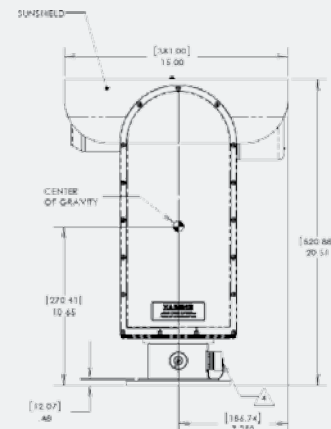
The EOSS 250DC's impressive integrated system features a thermal camera and a visible CCTV camera with 26X optical zoom mounted on a 360° pan/tilt base. The available joystick controller operates the system with push button interaction. The system is also available without the visible CCTV camera.

Axsys provides leading-edge IR equipment to the security and surveillance sector. Axsys' proprietary optical designs, state-of-the-art laboratories, and vertically integrated manufacturing capabilities ensure maximum performance and dependability.

www.axsys.com

KEY FEATURES

- Auto and Manual Focus
- High Sensitivity Mode
- Dry Nitrogen Backfilled
- Multiple Color Palettes
- Integrated Pan/Tilt Mounting
- Integrated Controller and Joystick
- 11.0° and 2.2° Dual Fields of View (50/250mm)
- Cooled 3-5 μ m IR Detector Technology
- Boresighted CCTV with 26X Zoom for Visible Detection



EOSS 250-DC/250-DC-S

EOSS 250DC System Specifications

Axsys Part Number	22942 (includes Visible Camera), 23023 (less Visible Camera)
Video Format	NTSC / PAL/ Differential
Serial Interface	RS-422
Power Requirements	18-28VDC (direct to P/T), 100-240VAC or 12VDC (with DCU)
Environmental	Unit sealed and dry nitrogen backfilled Front Element Defroster Operating Temperature Range: -32°C to +60°C. Non-Operating Temperature Range: -33°C to +71°C.
Controls	Controls available on a handheld joystick, or through a PC via an RS-232/422 link Proportional Pan and Tilt speed controls Field of View and Focus Slaving: Visual/Thermal Field of View Switching Focus (Auto/Manual) Auto Scan with 10 tables of 10 userdefined presets, variable speed, dwell, and camera selection
Weight	<60 lbs.(27.2kg)(Pan/tilt head & sensors)

Pan/Tilt Head

Pan	360° Continuous
Tilt	+60°
Accuracy	0.05°
Repeatability	0.1°
Position Rate	Pan < 0.01° to >300°/second Tilt < 0.01° to >300°/second

Thermal Camera Characteristics

EOSS 825 Detector	640 x 512 Cooled InSb, FPA, 15µm pitch.
Spectral Band	3-5µm.
Type	Motorized Remote Focus and Continuous Zoom Optical System
f/#	3.3.
Field of View	6.7° x 5.0° Wide to 0.67° x 0.50° Narrow.
Controls/Features	Multiple Color Palettes Inverse Polarity

Visible Camera Characteristics (CCTV)

Sensor	1/3" IT CCD
	Approx. 380k Pixels (NTSC)
	Approx. 440k Pixels (PAL)
FOV (cont optical zoom)	11.0° to 0.18°
Optical Zoom	60X
Digital Zoom	10X
Resolution (TV lines)	560 color/700 B/W
Min. Illumination	<0.2 lux f/1.2 color, <0.01 lux f/1.2 B/W
Signal to Noise	>50dB

Construction of Axsys Part Numbers

Code	Feature Referenced & Available Options	Example (part # plus code)
-600	EOSS kit with monitor and reel in case	22942-600
-601	EOSS kit, less monitor or reel in case	22942-601
-602	EOSS kit with no support accessories	22942-602
-603	EOSS kit, NEMA rated DCU with AC and DC cable added	22942-603
H	IP over IEEE 802.3	22942H-600
H1	IP over IEEE 802.3; IPv6 Compliant; H.264 Video Compression	22942H1-600
J	Electronic Video Stabilizer Option	
J1	Gyro Stabilized Pan/Tilt Option	23181J1-600
J2	Video Stabilization and Gyro Stabilization Option	22942J2-600
L	Laser Illuminator/Pointer Option	22942L-600
P	PAL Video Format	22942P-602
Vnn	Paint Version (see 12792 paint specification)	22942V4-600
Yn	Laser Rangefinder Option	
Y1	20km, 1.0 mRad	22942Y1-600
Y2	20km, 0.5 mRad	22942Y2-600
Y3	30km, 0.5 mRad	22942Y3-600
Z	640 X 480 Sensor Option	22942Z-600

Note: To construct Part Numbers, start with base code, add other desired options alphabetically (excepting that "P" must be last), and then add kit designator.
Example: 23181F2H1ZP-600



GENERAL DYNAMICS
Advanced Information Systems

44 Simon Street, Nashua, NH 03060
603.521.9300 | www.axsys.com

Manufacturer reserves the right to change specifications to reflect latest changes in technology and improvements at any time without notice.
Export is subject to US Government regulations.

