

EOSS S-SU/SUTV

Long Wave Thermal Imaging System

EOSS 25S-SU/SUTV
EOSS 37S-SU/SUTV
EOSS 50S-SU/SUTV

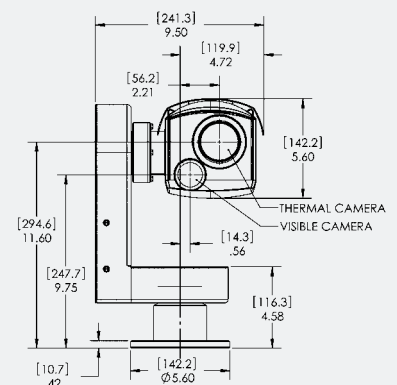


Axsys' EOSS S-SU/SUTV systems are highly versatile and reliable single field of view short to mid-range thermal solutions, providing mobile and stationary security and public safety advantages in a compact and affordable integrated package. Available in a choice of three focal lengths to accommodate specific requirements and detection needs, the EOSS S-SU/SUTV thermal imager operates in the 8-14 μ m spectral region, incorporating uncooled VOx microbolometer technology in a 320 x 240, 23.5 μ m pitch focal plane array. Axsys' proven proprietary all germanium optical system enables the sensor to operate at its maximum capability. The optical front element, equipped with an automatically controlled defroster, is protected with a proprietary diamond-like hard carbon coating designed to withstand the harshest of conditions, while the interior elements utilize extremely efficient anti-reflection coatings, providing outstanding transmission. EOSS S-SU/SUTV systems are self-contained in a dry nitrogen backfilled environmentally sealed enclosure. The EOSS S-SU/SUTV system is ready out of the box for plug and play operation. The thermal camera ships with an integrated pan/tilt mounting. System power supplies are available housed in either a NEMA 4X enclosure or an indoor rack-mountable case. Two Joystick options, as well as remote control via PC over an RS232/422 link, are available for control.

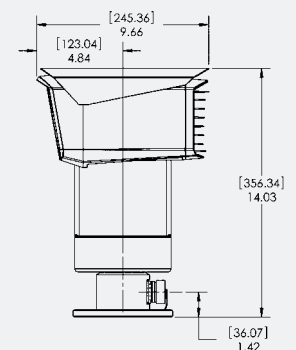
www.axsys.com

FEATURES

- Auto & Manual Focus
- Remote Control
- Multiple Color Palettes
- Dry Nitrogen Backfilled
- Integrated Pan/Tilt Mounting
- Optional Controller and Joystick
- Available in 17.1°, 11.5°, and 8.6° Fields of View
- Uncooled 8-14 μ m VOx Microbolometer Technology (23.5 μ m)
- Boresighted Visible CCTV Camera (SUTV Version)



EOSS S-SU/SUTV Front



EOSS S-SU/SUTV Side

EOSS S-SU/SUTV

System Specifications

Axsys Part Number	23206-60x (25mm) 23209-60x (37.5mm) 23232-60x (50mm)
Video Format	NTSC/PAL/Differential
Serial Interface	RS-422
Power Requirements	18-28VDC (direct to P/T) 100-240VAC or 12VDC (with DCU)
Environmental	Unit sealed and dry nitrogen backfilled Front Element Defroster Operating Temperature Range: -30°C to +60°C Non-Operating Temperature Range: -40°C to +71°C
Controls	Controls available on a hand held joystick, on a tabletop display and control unit, or through a PC via an RS-232/422 link Proportional Pan and Tilt speed controls Focus (Auto/Manual) Autoscan with 10 tables of 10 userdefined presets, variable speed, dwell, and camera selection
Weight	~20 lbs. (9.07kg) (Pan/tilt head & sensor)

Visible Camera Characteristics

Sensor	Sony Super HAD CCD
FOV	Matched to nominal thermal camera FOV (±10%)
Resolution	550 TV lines
Min. Illumination	<0.2 lux
Signal to Noise	> 45dB

Thermal Camera Characteristics

Detector	320 x 240 Uncooled VOx Microbolometer, 23.5µm pitch
Spectral Band	8-14µm
Type	Motorized Remote Focus Optical System
f/#	1.0
Field of View	17.1° x 12.9° (25mm) focal length 11.5° x 8.6° (37.5mm) focal length 8.6° x 6.5° (50mm) focal length Optional Fields of View/Focal Lengths available; contact Axsys for information
Controls/Features	Multiple Color Palettes Inverse Polarity Auto Focus Manual Gain/Offset

Pan/Tilt Head

Pan	360° continuous
Tilt	-80° to +30° minimum
Accuracy	0.25°
Repeatability	0.1°
Position Rate	Pan < 0.1° to >50°/second Tilt < 0.1° to >50°/second

Construction of Axsys Part Numbers

Code	Feature Referenced & Available Options	Example
-600	EOSS kit with monitor,VCR, & cable reel in case	23206-602
-601	EOSS kit less monitor,VCR, & cable reel in case	23206-602
-602	EOSS system with no support accessories	23206-602
-603	EOSS kit, NEMA rated DCU,AC & DC cable added	23206-602
H	IP over IEEE 802.3	23206H-602
H1	IP over IEEE 802.3; IPv6 Compliant; H.264 Video Compression	23206H1-602
P	PAL Video Format	23206P-602
Vnn	Paint Color (default = Gloss White;V9 = Sand; contact Axsys for other options)	23206V9-602

To construct Part Numbers, start with base code, add other desired options alphabetically (excepting that "P" must be last), and then add kit designator.
Example: 23206H1V9P-602



GENERAL DYNAMICS
Advanced Information Systems

44 Simon Street, Nashua, NH 03060
603.521.9300 | www.axsys.com

Manufacturer reserves the right to change specifications to reflect latest changes in technology and improvements at any time without notice.
Export is subject to US Government regulations.

